

# AC1016

## AIRCOMPRESSOR



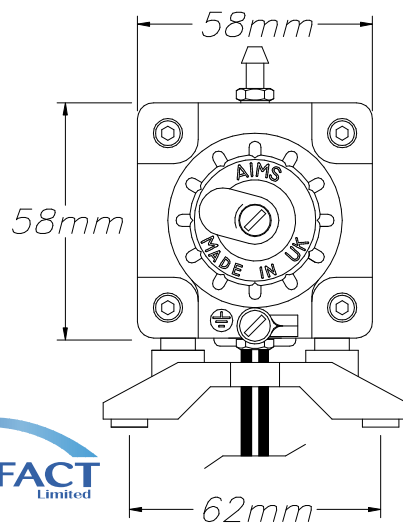
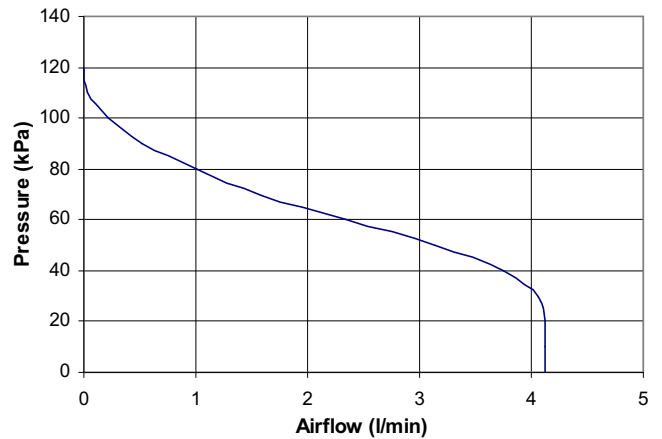
[www.aimspump.com](http://www.aimspump.com)

### AC1016 SPECIFICATIONS

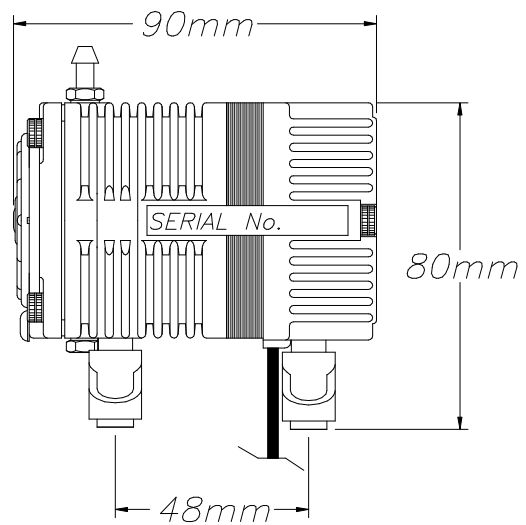
<b>Rated Pressure:</b>	50kPa (500mB, 7.24psi)
<b>Rated Airflow:</b>	>2.5 l/min (0.88cfm)
<b>Rated Voltage(s):</b>	230V
<b>Maximum Pressure:</b>	>95 kPa (950mB, 13.75psi)
<b>Rated Frequency:</b>	50Hz
<b>Power Consumption:</b>	14-15 Watts
<b>Duty Cycle:</b>	Continuous
<b>Coil insulation Class:</b>	Class F. Class B for UL (1450) (120V)
<b>Noise Level:</b>	Below 40 dB (A)
<b>Environmental Conditions:</b>	0°C – 40°C & 35% - 85% RH
<b>Mounting Dimensions:</b>	48(L) x 62(W) mm
<b>Unit outside dimensions:</b>	90mm x 58mm x 58mm
<b>Gross Weight:</b>	700 grams (1.54lbs)
<b>Lead Wire Length:*</b>	AWG22 (UL1015, 105°C) X 260mm
<b>Outlet:*</b>	7.5mm diameter barb, hose nipple.

\*Example given. Customer determined attributes are available.  
Patented and patents pending

Typical performance



an  
**ARCHFACT**  
product Limited



Contact technical sales for additional information regarding life expectancy and operating conditions.  
All the information in this datasheet is supplied in good faith.  
This information is given without obligation or liability.