

# AC1024 - B

## AIRCOMPRESSOR



[www.aimspump.com](http://www.aimspump.com)  
Typical Pressure performance curve

### AC1024 - B SPECIFICATIONS

#### SERIES CONFIGURATION

<b>Rated Pressure:</b>	35 kPa (350mB, 5.07psi)
<b>Rated Airflow:</b>	6 l/min (0.21cfm)
<b>Maximum Pressure:</b>	>82 kPa (820mB, 11.9psi)

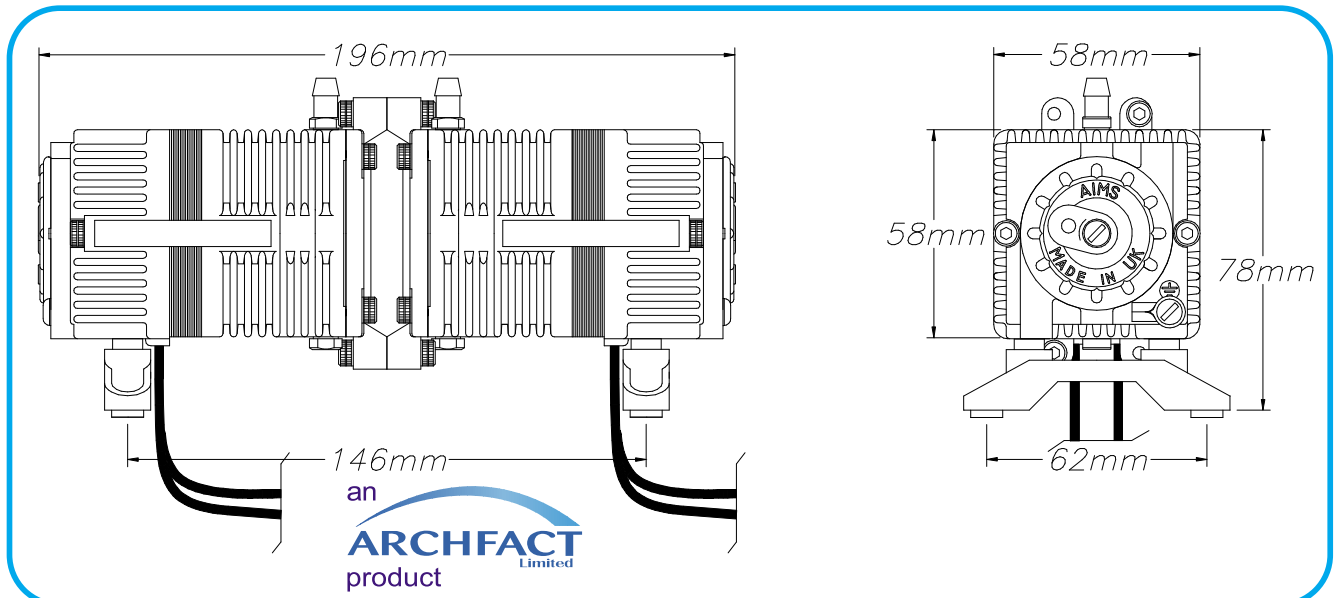
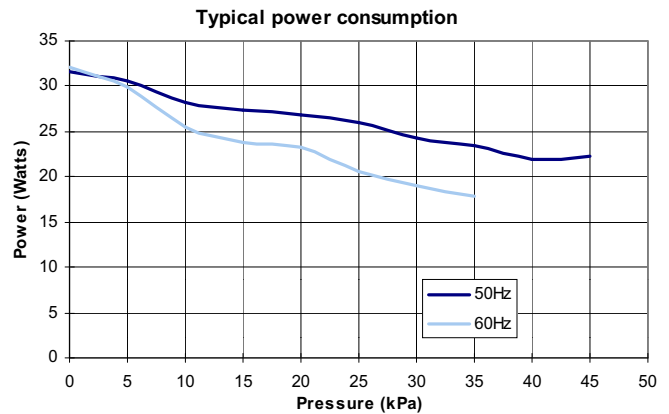
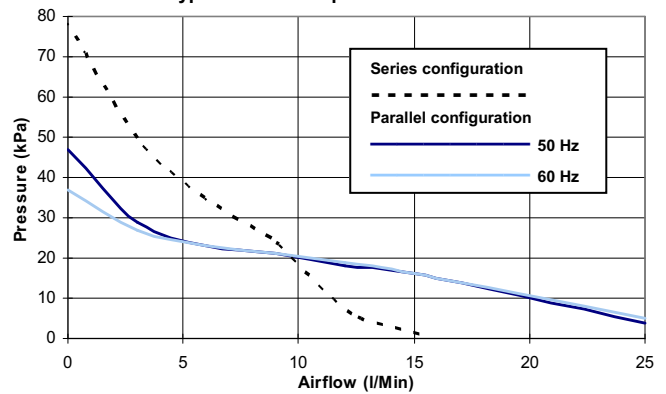
#### PARALLEL CONFIGURATION

<b>Rated Pressure:</b>	19 kPa (190mb, 2.75psi)
<b>Rated Airflow:</b>	10 l/m (0.35cfm)
<b>Maximum Pressure:</b>	>41kPa (410mB, 5.95psi)

#### FEATURES OF BOTH CONFIGURATIONS

<b>Rated Voltage(s):</b>	100V, 120V or 230V
<b>Rated Frequency:</b>	50Hz or 60Hz
<b>Power Consumption:</b>	23-27 Watts
<b>Duty Cycle:</b>	Continuous
<b>Coil insulation Class:</b>	Class F. Class B for UL (1450) (120V)
<b>Noise Level:</b>	45 dB (A)
<b>Environmental Conditions:</b>	0°C – 40°C & 35% - 85% RH
<b>Mounting Dimensions:</b>	146(L) x 62(W) mm
<b>Unit outside dimensions:</b>	196mm x 58mm x 58mm
<b>Gross Weight:</b>	700 grams (1.54lbs)
<b>Lead Wire Length:*</b>	260mm Standard
<b>Outlet:*</b>	7.5mm diameter barb, hose nipple.

\*Example given. Customer determined attributes are available.  
Patented and patents pending



Contact technical sales for additional information regarding life expectancy and operating conditions.  
All the information in this datasheet is supplied in good faith. This information is given without obligation or liability.