

LP1224

VACUUMPUMP LOWVOLTAGE



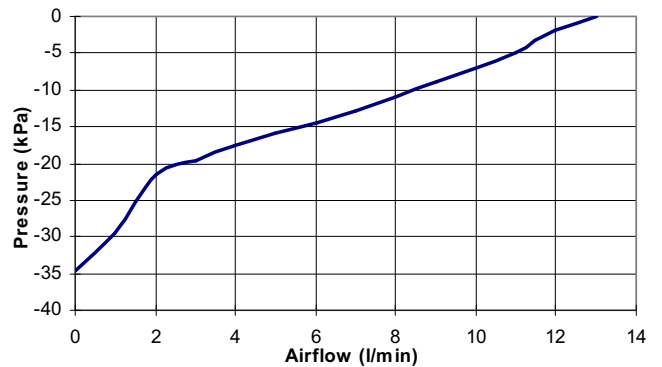
www.aimspump.com

LP1224 SPECIFICATIONS

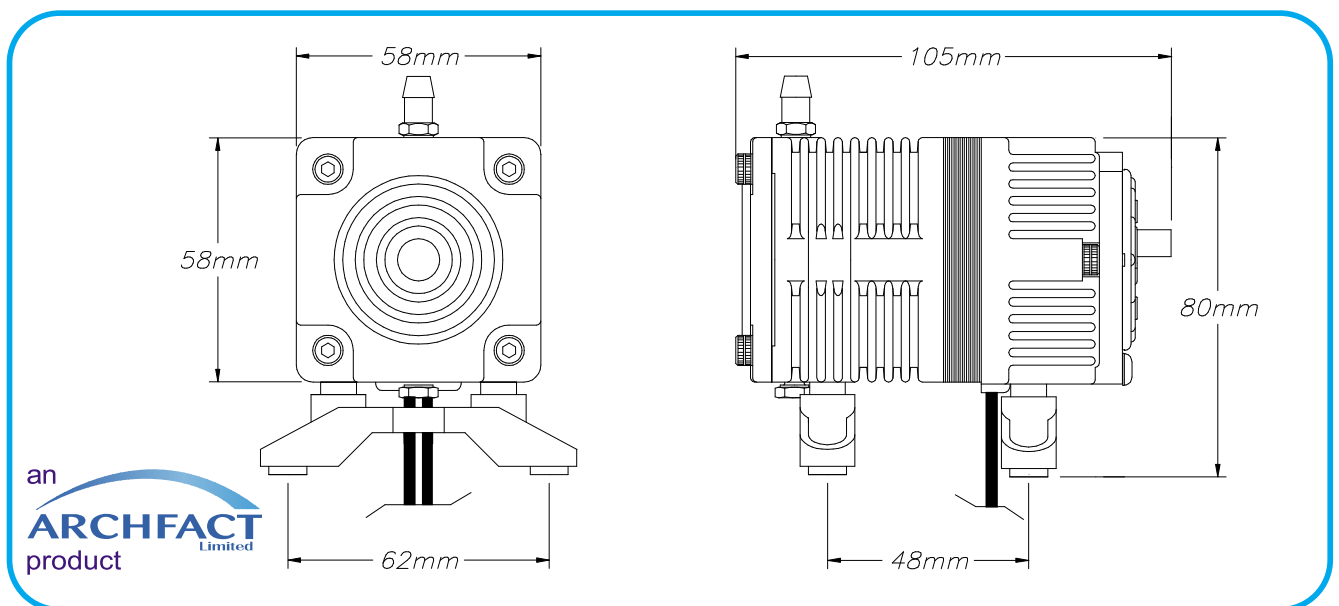
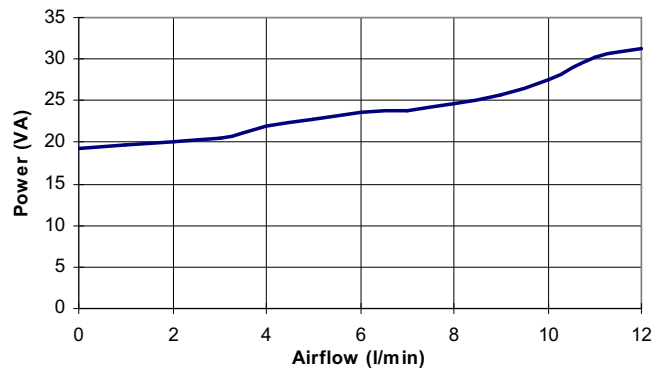
Rated Voltage(s):	DC 12 Volts Pulsed
Voltage characteristic:	On 5ms, Off 15ms
Rated Vacuum:	-12.5kPa
Maximum Vacuum Airflow:	12 l/min
Maximum Vacuum:	-34.5kPa
Rated Frequency:	50Hz
Power Consumption Max (DC):	31.5 VA
Duty Cycle:	Continuous
Coil insulation Class:	Class F
Environmental Conditions:	0°C – 40°C & 35% - 85% RH
Mounting Dimensions:	48(L) x 62(W) mm
Unit outside dimensions:	105mm x 58mm x 58mm
Gross Weight:	700 grams (1.54lbs)
Lead Wire Length:*	AWG22 (UL1015, 105°C) X 260mm
Outlet:*	7.5mm diameter barb, hose nipple.

*Example given. Customer determined attributes are available.
Patented and patents pending

12V DC Typical vacuum performance



Typical power consumption (Vacuum)



an
ARCHFACT
product Limited

Contact technical sales for additional information regarding life expectancy and operating conditions.
All the information in this datasheet is supplied in good faith.
This information is given without obligation or liability.